

Adaptive Management of living Marine Resources by integrating different data sources and key ecological parameters (ADMAR)

Nils Olav Handegard

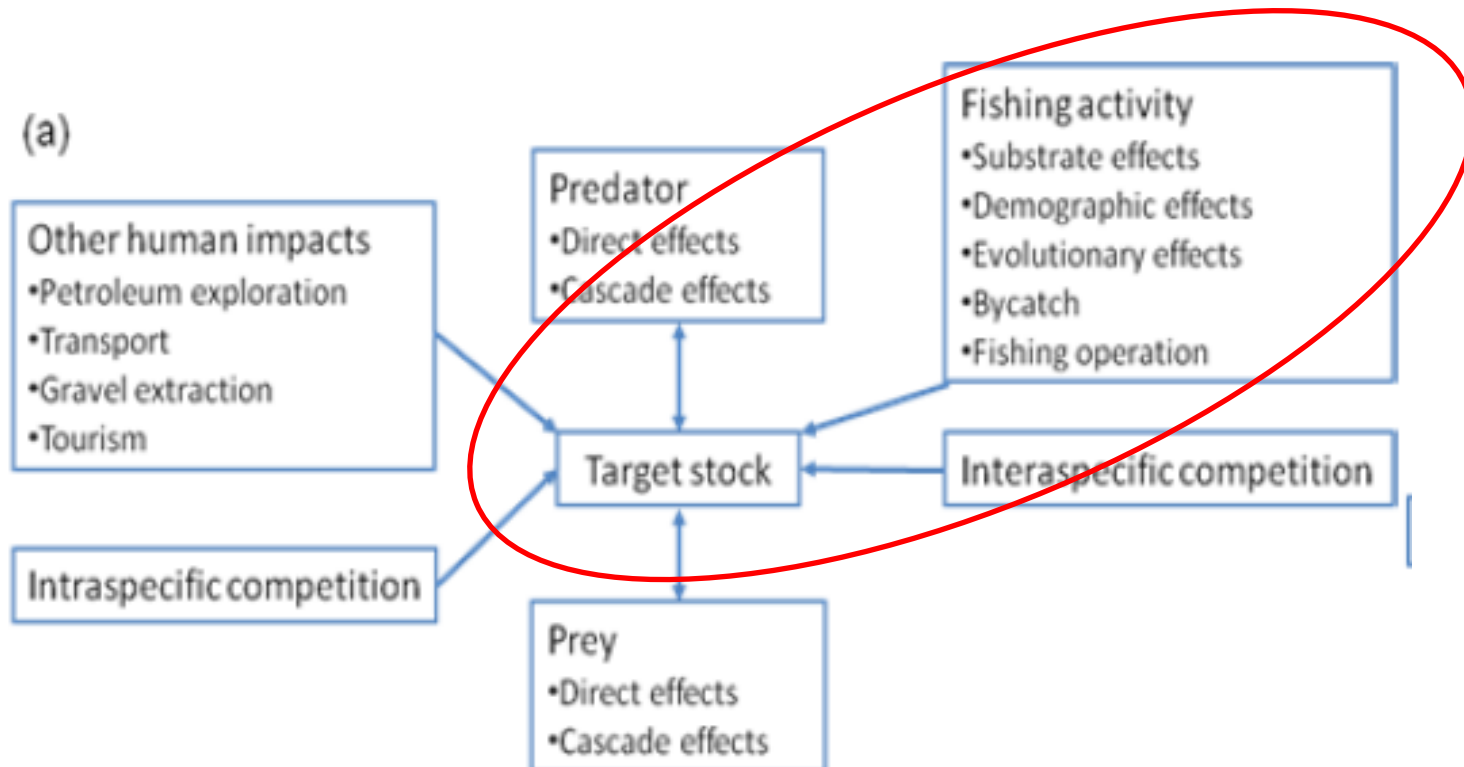
Institute of Marine Research (IMR), Bergen

Centre for Ecological and Evolutionary Synthesis (CEES), Dept. of Biology, Univ. of Oslo

The challenges

- Norwegian Ocean Resource Act
 - How to address “data-poor” stocks
- How to utilize a larger part of our knowledgebase in management advice?
- Survey resource allocation

The challenges



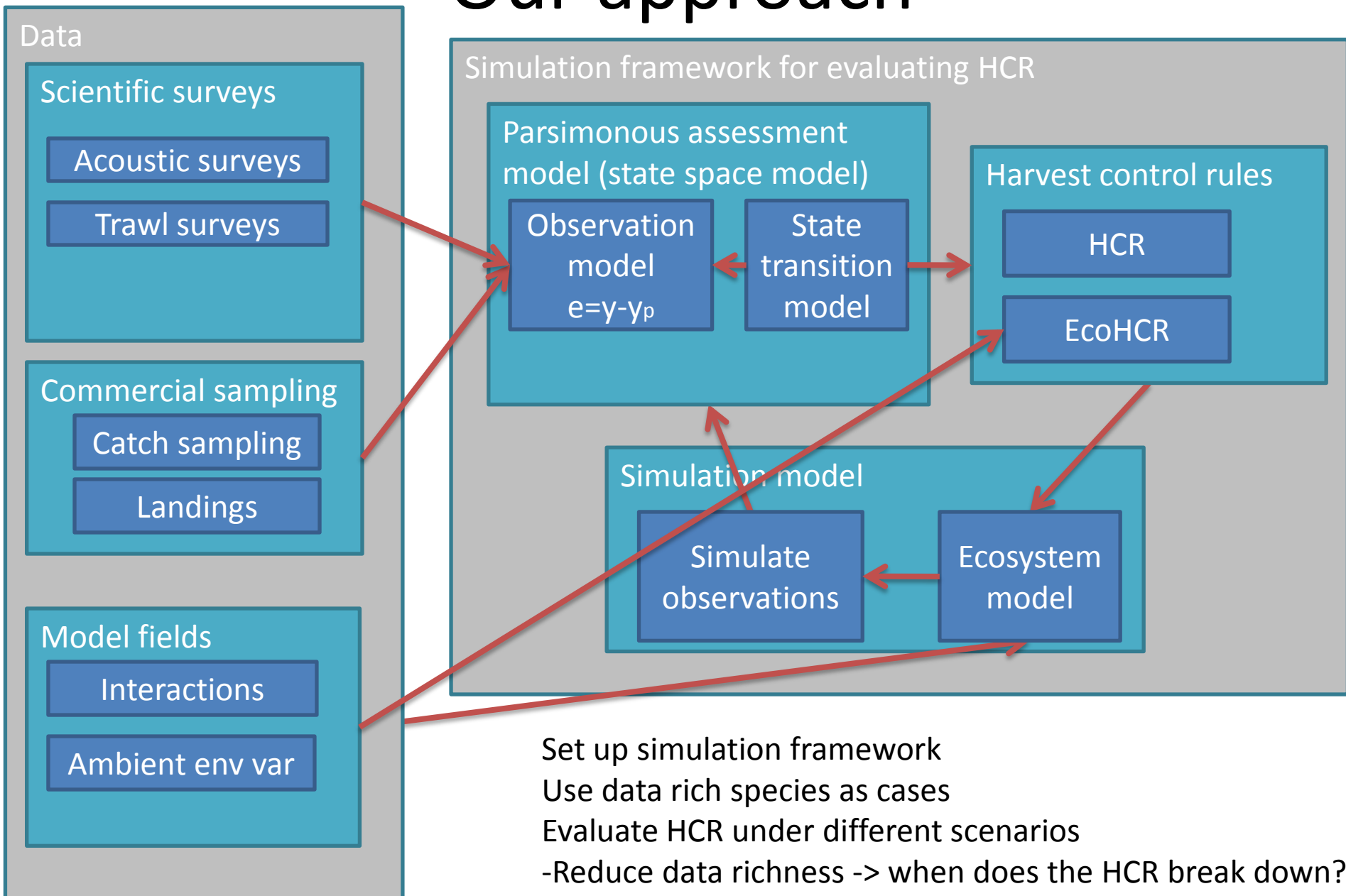
The ecological framework for a managed stock.

The proposed solution



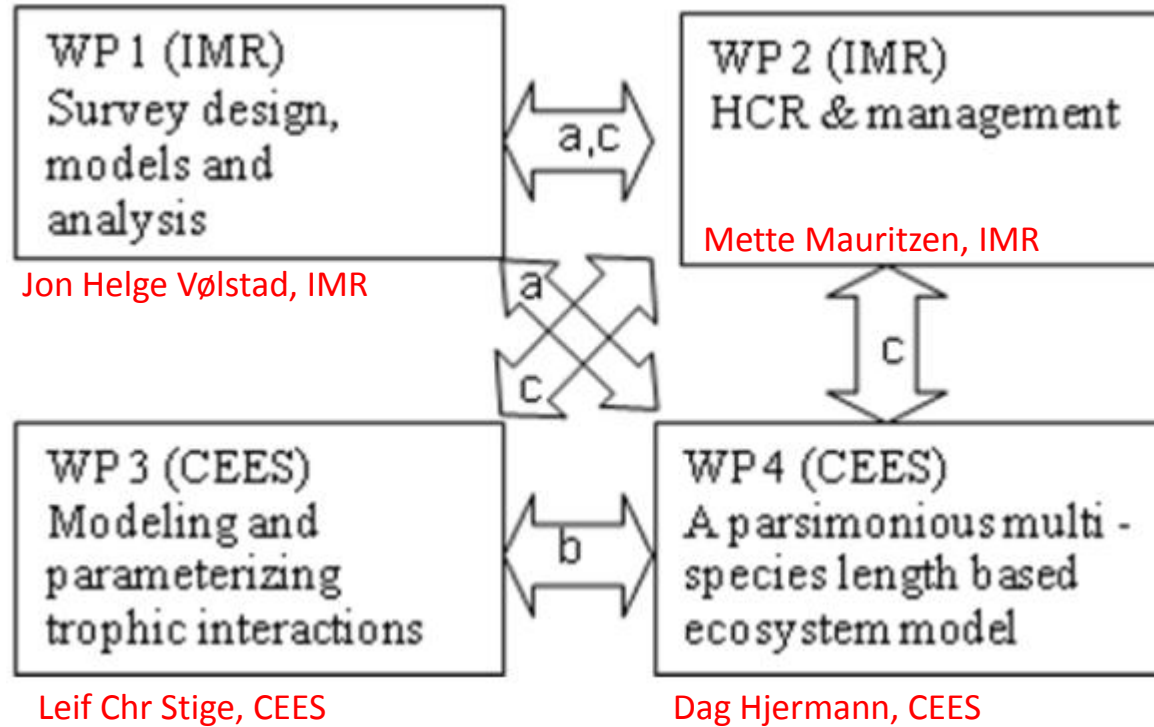
Potential sources of information

Our approach



- Set up simulation framework
- Use data rich species as cases
- Evaluate HCR under different scenarios
 - Reduce data richness -> when does the HCR break down?
 - Add error structures to data

Overview of the project



Project leader: Nils Olav Handegard, IMR

Co-project leader: Nils Christian Stenseth, CEES